

MOUNT ADAPTER

Instruction Manual

This product is a lens mount adapter, designed to attach a camera to the products adopting a compatible mount. This product is not equipped with any electrical contacts. Focusing operations are only manual and camera exposure modes are limited to full manual control and aperture priority (AE mode).

Compatible Optical Products

Tokina mount adapter (pitch 0.75mm, thread 42mm) is compatible with optical products that meet the same requirements e.g., mirror lenses, astronomical telescopes, field scopes.

Before attaching

You can change the fixed position of the interior ring to which the lens is attached by loosening the 3 screws (flathead screws) on the exterior ring of the mount adapter. This allows you to adjust the lens indicator into an easy-to-use position.

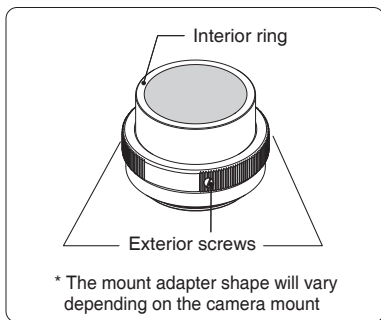
For easier operations, the 3 exterior screws are slightly loosened at the time of shipment. Make sure beforehand that you use a flathead screwdriver to tighten the screws before attaching the mount to the lens.

Attaching

1. Screw the mount adapter onto the product you will be using.
2. Align the mount adapter with the indicator on the camera body and rotate until you hear a clicking sound (refer to the "Attaching a lens" and "Removing a lens" sections of the camera's operating instructions).
3. After attaching the mount adapter make sure it is securely in place.

* Make sure to hold firmly the mount adapter during attaching and detaching operations.

* Rotate the camera body when attaching or removing a telescope lens or any other large optical component.



Position adjustment

Following the instructions below to align correctly in position the camera body and Tokina mount adapter:

1. Use a regular flathead screwdriver to loosen the 3 exterior screws on the mount adapter. (Loosening the screws too much will cause the product to fall off so make sure to hold the product securely during this process.)
2. Rotate the product until it is in the correct position and then firmly tighten the 3 exterior screws.

Specifications

Thread pitch	0.75mm
Screw diameter	42mm
Flange back	55mm